

# SOKOYO<sup>®</sup> Installation Instructions

Light up every road back home

## LUMO-Split Style Solar Street Light


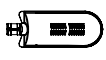
### 1. Instructions for use

This product contains solar panel, lithium battery, controller and LED light source, with the parameters indicated on the product nameplate. The light source part of this lamp adopts modular design, easy to replace.

### 2. Application sites

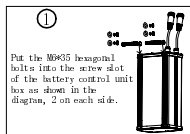
Mainly used in new rural roads, urban trunk roads or slow roads, feeder roads, as well as tourist attractions, parking lots, parks, squares and other public places of road lighting.

### 3. Product specifications

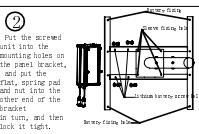
Product Images		
Product Name	KY-F-XC-001	KY-F-XC-002
Module Number	IPCS	IPCS
Input Voltage	DC12/24V	DC12/24V
Rated Power	40W	60W
Color Temperature	<input type="checkbox"/> 3000K <input type="checkbox"/> 4000K <input type="checkbox"/> 5000K <input type="checkbox"/> 5700K <input type="checkbox"/> 6000K	<input type="checkbox"/> 3000K <input type="checkbox"/> 4000K <input type="checkbox"/> 5000K <input type="checkbox"/> 5700K <input type="checkbox"/> 6000K
Light efficiency	E30-160LM/W	E30-160LM/W
CRI	Ra ≥70	Ra ≥70
Working Temperature	-10°C ~ +60°C, 10%~90%RH	
Installation Height	6-8m	6-8m
Lamp Dimension	670x250x92mm	670x250x92mm
IP Rate	IP65	IP65
Mount Diameter	∅48	∅48
Mount Extension Size	12	12
Lamp Net Weight	3.4KG	3.4KG
Package Dimension	675x390x270mm	675x390x270mm

### 4. Luminaire Installation

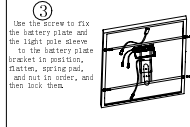
(KY-F-XC-001, 002 Installation-Method one (battery control unit on the panel bracket))



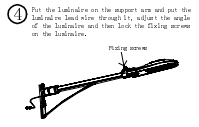
① Put the M6x35 hexagonal bolts into the screw slot of the battery control unit box as shown in the diagram, 2 on each side.



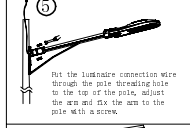
② Put the screwed unit into the mounting holes on the panel bracket, and put the flat spring pad and nut into the other end of the bracket, so turn, and then lock it tight.



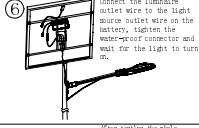
③ Use the screw to fix the battery plate and the light pole sleeve to the battery plate bracket in position, flatter, spring pad, and nut in order, and then lock them.



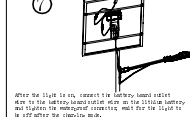
④ Put the luminaire on the support arm and put the luminaire lead wire through it, adjust the angle of the luminaire and then lock the fixing screws on the luminaire.



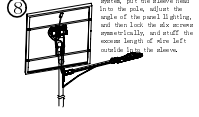
⑤ Put the luminaire connection wire through the pole threading hole to the top of the pole, adjust the arm and fix the arm to the pole with a screw.



⑥ Connect the luminaire outlet wire to the light source outlet wire on the battery, tighten the waterproof connector and wait for the light to turn on.

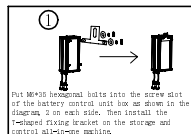


⑦ After the light is on, connect the battery board cable to the battery terminal and screw on the lithium battery and tighten the waterproof connector, wait for the light to be off after the charging mode.

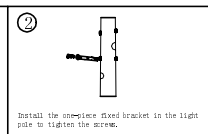


⑧ After locking the whole system, put the sleeve head into the pole, adjust the angle of the panel lighting, and then lock the sleeve head screw (optional), and adjust the sleeve length of sleeve head according to the sleeve.

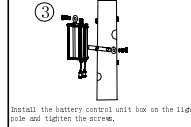
(KY-F-XC-001, 002 Installation-Method two (battery control unit hanging outside on the light pole))



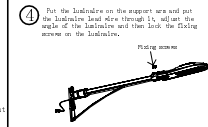
① Put M6x10 hexagonal bolts into the screw slot of the battery control unit box as shown in the diagram, 2 on each side. Then install the tempered fixing bracket on the storage and control cabinet-side opening.



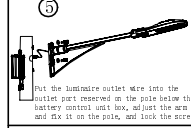
② Install the one-piece fixed bracket in the light pole to tighten the screws.



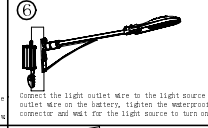
③ Install the battery control unit box on the light pole and tighten the screws.



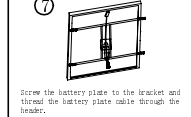
④ Put the luminaire on the support arm and put the luminaire lead wire through it, adjust the angle of the luminaire and then lock the fixing screws on the luminaire.



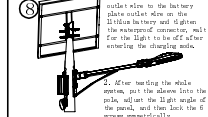
⑤ Put the luminaire connection wire into the battery outlet wire into the battery control unit box, adjust the arm and fix it on the pole, and lock the screws.



⑥ Connect the light outlet wire to the light source outlet wire on the battery, tighten the waterproof connector and wait for the light source to turn on.

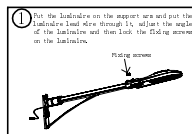


⑦ Screw the battery plate to the bracket and thread the battery plate cable through the bracket.

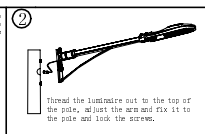


⑧ 1. Connect the battery plate outlet wire to the battery plate outlet wire on the lithium battery and tighten the waterproof connector, wait for the light to be off after connecting the charging mode.  
2. After locking the whole system, put the sleeve into the pole, adjust the light angle of the panel, and then lock the sleeve screw (optional).

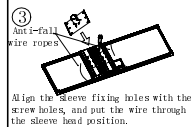
(II) Installation-Method three (optical storage)



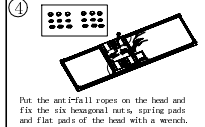
① Put the luminaire on the support arm and put the luminaire lead wire through it, adjust the angle of the luminaire and then lock the fixing screws on the luminaire.



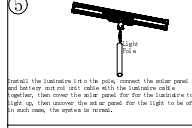
② Thread the luminaire out to the top of the pole, adjust the arm and fix it to the pole and lock the screws.



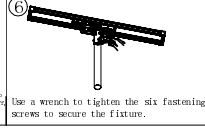
③ Align the sleeve fixing holes with the screw holes, and put the wire through the sleeve head position.




④ Put the anti-fall ropes on the head and fix the sleeve head with a wrench.



⑤ Fix the luminaire to the pole, connect the solar panel and luminaire out and wait until the luminaire is lit together, then cover the wire panel for the luminaire to light on, then connect the solar panel for the light to be off in each case, the system is normal.



⑥ Use a wrench to tighten the six fastening screws to secure the fixture.



⑦ The light pole was erected and the installation was completed.

Before installation, you can check whether the whole system is normal by following the steps below.

- The whole process should be light, pay attention to personnel safety and product integrity.
- Take out the lamps from the packaging box lightly, and take out the waterproof connector of the lamps, connect it to the battery control unit waterproof cable. Wait for 10S to enter the discharge mode. Discharge mode performance for the indicator light is always on, the light source is always on.
- After the light is on normally, connect the waterproof connector of the photovoltaic panel with the connector of the battery control unit, and wait for 10S to enter the charging mode. Charging mode performance for the indicator light flashes slowly, the light is off.
- At this time the whole system is under normal state, can be installed.

### 5. Cautions

- The product must be transported in complete package and avoid collision.
- The controller debugging to be operated in accordance with the instruction book.
- This type of lamps and lanterns working voltage according to the product specifications and reference to the product label.
- Lamp maintenance or replacement requires qualified people to replace to avoid danger.
- Installation location should avoid blocking objects, such as buildings, trees, power lines, etc. Ensure that the panels are well lit.
- If the product has not been used for more than three months, before using it, replenishing the power for two days in the case of sufficient sunlight to ensure the best use of the product.
- For areas with less rainfall, it is recommended to clean the panels once a month. In areas with high dust, the number of times of cleaning should be increased according to the dust accumulated on the panel.

Jiangsu Sokoyo Solar Lighting Co., Ltd. reserves the right to make improvements to its products. If this product is improved in the future, no notice will be given.