

SOKOYO[®]

SOLO SERIES
All in Two solar street light



China free hot line: 0086-514-8216-6606

Tel: 0086 514 87914128

Web: www.sokoyosolar.com

Factory address: #3 district, Guoji Industrial park, North suburb, Yangzhou, Jiangsu Province, China

Sales Headquarter: Floor 4, Building 2, Guotai Building, No. 440, West Wenchang Road, Hanjiang District, Yangzhou city

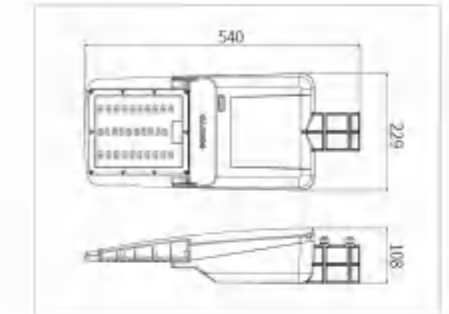


EASY TIME
ENERGY CONSERVATION
EFFICIENT HEAT DISSIPATION



SIMPLE WITH FASHION ENERGY SAVING AND ENVIRONMENTAL PROTECTION EFFICIENT HEAT DISSIPATION

Simple appearance design, modern and fashionable shape. Adopting ADC12 high pressure die cast aluminum molding; Good heat dissipation; Hollow fins, enhance air convection, high heat dissipation efficiency. Large lamp housing size, ample space for battery compartment. Adopt high-capacity long-lifespan lithium battery to ensure the service life of the product. High-efficiency module lens, large-angle and long-spacing light distribution. Suitable for the road lighting in cities, villages, industrial parks and other places.



KY-E-BGD DC SOLO-D All-in-two solar street light

High-performance parameters: Adopt imported high-efficiency chips patented package, which saves energy by 60% compared with traditional street lamps; Patented light distribution design; The uniformity of the road surface is above 0.7, and the illumination is uniform without spot phenomenon; High color rendering: Restore the color of the object itself, beautify the urban environment; Environmental protection and healthy: no ultraviolet rays, no radiation, more conducive to environmental protection and eye protection;



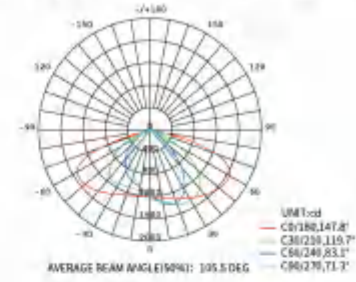
Product Model	KY-E-BGD-001	KY-E-BGD-002
Rated Power	20W	30W
System Voltage	DC3.2V	DC12.8V
Lithium Battery	3.2V/60AH 192WH	12.8V/30AH 384WH
Suggested Solar Panel	55W/5V	90W/18V
Light Source	LUMILEDS 5050	LUMILEDS 5050
Light Distribution	Bat-Wing light distribution (150°x75°)	Bat-Wing light distribution (150°x75°)
Light Efficiency	≥120LM/W	≥120LM/W
Color Temperature	3000K/4000K/5700K/6500K	3000K/4000K/5700K/6500K
CRI	≥Ra70	≥Ra70
IP Rate	IP66	IP66
IK Rate	IK08	IK08
Working Temperature	-10°C~+60°C	-10°C~+60°C
Product Weight	3.5kg	5.0kg
LED Lifespan	>50000H	>50000H
Controller	15A	10A
Lamp Dimension	540×229×108mm	540×229×108mm
Package Dimension	595×270×267mm (2pcs/CTN)	
Mount Diameter	φ60mm	
Light setting	6-12h per night (accordingly)	
Suggested Mount Height	4-6m	

LIGHT DISTRIBUTION CURVE

Street Light Intensity Test Report(30W Parameter)

DATA OF LAMP		PHOTOMETRIC DATA		Effic:121.76lm/W	
MODEL	KY-E-BGD-001	Imax (cd)	1659	η street up (%)	0.9
NOMINAL POWER (W)	30	LOR (%)	100.0	η street down (%)	54.5
RATED VOLTAGE (V)	3.2	TOTAL FLUX (lm)	3653	η house up (%)	0.7
NOMINAL FLUX (lm)	3256.69	MAXIMUM θ (C, γ)	0°, 57.0°	η house down (%)	43.9
LAMPS INSIDE	1	η up (%)	1.6	78 FLASHAREA (mf)	
TSET VOLTAGE (V)	3.56	η down (%)	98.4	STL	

Meridian Light Distribution Curve(30W Parameter)



PRODUCT STRUCTURE DISPLAY

Lithium iron phosphate battery

The cycle life is more than 1000 times, safe to use, no fire and no explosion; High temperature resistance, large capacity, green and environmental protection.

Smart Controller

With intelligent control of lighting time, overcharge, over discharge, electronic short circuit, overload protection, anti-reverse connection protection and other functions, it can adapt to cold, high temperature, humidity and other environments.

Heat dissipation design

Hollow out heat sink enhances air convection with high heat dissipation efficiency.

High-pressure die-cast aluminum lamp body

Adopting ADC12 high pressure die cast aluminum molding, impact resistance, corrosion resistance, electrostatic spray treatment after surface shot blast.

Tool-free hinge design

Quick separation of upper and lower cover without tools, easy to operate.

Bat-wing shape light distribution

The latest patented light source technology, through the lens special structure of the surface light source to form the bat wing shape, to achieve the best uniform illumination, greatly improve the lighting effect.



POLE STYLE SELECTION

80W
Height: 10m
Application: secondary main street

60W
Height: 8m
Application: main street

40W
Height: 6m
Application: country road

10m

8m

6m

