

Installation Manual For TECO All In Two Solar Street Light

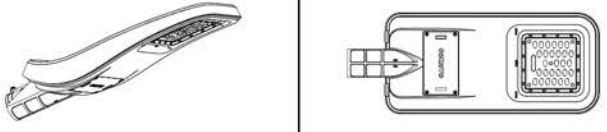
1. Instruction

This model includes solar panel, lithium battery, controller and LED light source. It is easily assembled according to the product label. This model is made of LED module, and replacement is simple.

2. Application


Mainly used for lighting in public places such as countryside roads, urban main roads or slow traffic roads, branch roads, tourism areas, parking lots, parks and public squares.

3. Specification

Lamp Photo	
Model No.	KY-E-FY-001
Module Quantity	1PCS
Lithium Battery	LiFePO4 12.8V/20AH
Rated power	20W
Color Temperature	<input type="checkbox"/> 3000K <input type="checkbox"/> 4000K <input type="checkbox"/> 5000K <input type="checkbox"/> 5700K <input type="checkbox"/> 6000K
Light Efficiency	130-160LM/W
CRI	Ra≥70
Working Environment	-10℃~+60℃, 10%-90%RH
Mounting Height	6-8m
Lamp Dimension	670x270x130mm
IP Rate	IP65
Installation Diameter	∅60
Wind Resistance	40M/S
Lamp Weight	6.1KG
Packing Dimension	720x310x180mm

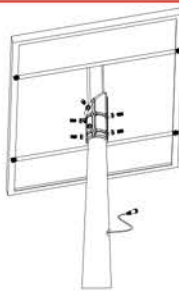
4. Installation Process

1



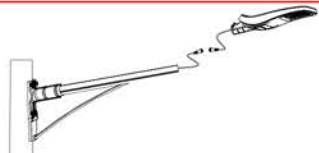
Fix the panel on the bracket with screws and thread the panel wire out of the socket.

2



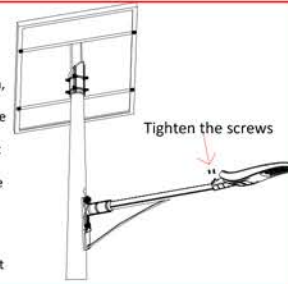
1. Lead the panel wire to the reserved threading hole on the lamp pole, put the socket into the lamp pole, adjust well the lighting angle of the panel, and then lock the 6 screws symmetrically.
2. Find something to cover the solar panel so that light can't penetrate. The purpose of this step is to simulate the conditions of photovoltaic panels in the dark, in order to test whether the lights are working properly.

3



Put the panel wire through the arm of the lamp, connect it with the outlet plug of the lamp, and wait for the discharge mode, which is shown as the indicator light and the light source are steady on. Adjust the arm direction and lock the arm fixing screw on the lamp post after the light source is on.

4



After the light source is on, remove the shield on the panel and wait to enter the charging mode. The charging mode shows that the indicator light flashes slowly and the light source is off. After the test is normal, lock the fixing screw of the lamp, adjust the lighting angle of the solar panel, and then erect the lamp pole well.

Tighten the screws

5. Precautions:

1. The product must be properly packaged while transportation to avoid collisions;
2. The controller debugging should be operated in accordance with the manufacturer's instruction book;
3. The working voltage of this type of lamp was designed based on the product specification showed on the product label, changing this voltage will cause damage to the product;
4. The maintenance or replacement of lamps requires qualified persons to replace them to avoid danger;
5. The installation location should avoid all kind of shades obstructions, such as high buildings, trees, wires, etc., ensure that the solar is facing to a sufficient sunlight;
6. If the product has not been used for more than three months, it should be recharged for two days under sufficient sunshine before use to ensure the best performance of the product;
7. In areas with less rain, it is recommended that the panels get cleaned once a month, as well as the areas with large amount of dust fall, clean the solar panel more frequently in the dusty places according to the level of dust.

SOKOYO reserves the right to improve the product. We will not notify if this product is improved in the future.